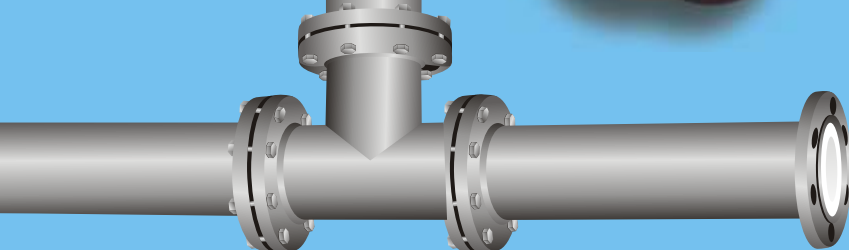
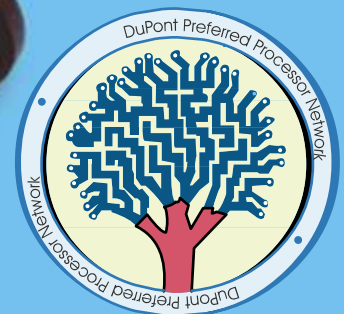


# DufLine<sup>®</sup> PTFE Lined Pipe Systems



DuFlon Polymers Private Limited



Teflon<sup>®</sup> is a registered trade mark of DuPont<sup>®</sup> USA or its affiliates, used under license.

[www.duflon.com](http://www.duflon.com)

### Company Profile

DuFlon Polymers Private Limited is a 100% EOU (Export-Oriented Unit) Indian company specializing in PTFE (Polytetrafluoroethylene)/PFA Lined pipes and fittings ranging from ½" (15NB) thru 12" (300NB), components for Lined valves, Lined pumps, Dip tubes, Expansion joints, etc that are offered as per the ASTM and DIN standards. It is also a leading fluoropolymers processor, exporter and manufacturer of PTFE/PFA/FEP products. All operations are normally implemented in a state-of-the-art processing plant constructed over 80,000 sq.ft, located in Maharashtra one of the largest of its kind in South Asia. Our range of products are used in various industries such as Chemicals, Refineries, Pesticides, Petrochemicals, Steel, Food-Processing, Beverages, Alcohols and Acids, Pharmaceuticals, SF6 Gas Circuit Breakers, Fertilizers, etc.

We strive to provide timely services to our customers in the most efficient manner for various problems relating to corrosion prevention, chemical-resistance, high temperature services, electrical resistance, mechanical frictions, etc. in multifarious engineering areas

In its quest to become the first choice of the global chemical and process industry, DuFlon has launched the DufLine® range of Lined Piping System. They come in all steel grades and are lined with fluoropolymers like PTFE and PFA.

### Key Notes about our company and DufLine®

- DuPont's Preferred Processor in India.
- DuPont's Industrial License Holder for using their trade name Teflon®, only the second company in the world to get this for PTFE lined pipes and fittings.
- Largest processors of Teflon® in South Asia
- 6 Meter Length Spools from 20NB upto 200NB. Higher sizes 250NB and 300NB in 3-meter lengths.
- Single Piece Teflon® lined Equal Tee and Reducing Tee till size 12" (300NB) The only company in India to supply.
- 100% EOU assuring international quality products.
- Type tested products as per ASTM F1545-2003.
- Only company in India to have Isostatic molding and Paste Extrusion under one roof.
- Company operates on SAP ERP system.
- Winner of the prestigious Niryat Shree award from the Govt of India for two consecutive years for outstanding export performance.
- Teflon® Liners are always in stock / production at our plant to facilitate immediate / fast delivery of material.

### QUALITY STATEMENT OF DUFLON

Providing high quality PTFE products and solutions ensures intense commitment of DuFlon towards its customers. DuFlon's products demonstrate the peak of Quality while ensuring globally competitive pricing. Quality of DuFlon's products is assured right from the stage of procurement of raw materials till the final stage of production. Stringent Material Quality Specifications are drawn up in our in-house Quality Norms Establishment Group that is an independent team.

### Technical specifications

**LINING :** As per ASTM F 1545- 2003.  
**WORKING TEMPERATURE :** (-)29 degC to (+) 260 deg C.  
**WORKING PRESSURE :** 16 bar  
**TESTS :** Electrostatic Test 10KV, Hydrostatic Test 16 bar  
**LINING THICKNESS :** 3 - 6mm. Varying on sizes  
**PTFE :** ASTM D1457, LINER: ASTM D4895  
**FITTINGS :** ASTM A234 WPB / DI ASTM A395 / ASTM A216 Gr.WCB.  
**PIPES :** A 106 Gr.B, Sch40/Sch30.  
**FLANGES :** ASTM A105, Dimensions to B16.5, ASA 150,  
: IS2062 available on request only.

The information provided in this brochure is for reference purpose only. Claim for loss or damages of whatsoever nature due to use of the product will not be accepted. This publication is not a licence to operate under or intended to suggest infringement of any existing patent. We reserve the right to change the specification without prior notice. Please confirm the specifications before placing the order.

### DuFlon Polymers Private Limited

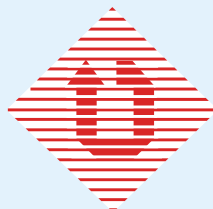
(An ISO 9001-2000 Certified Company)

**Corporate Office:** 3, Neeldhara, Shradhanand Rd. Extn., Vile Parle(E), Mumbai 400 057, INDIA. Tel. +91-22-2611 4589/2613 3227.

**Fax:** +91-22-2613 1836.

**Website:** www.duflon.com. **Email:** info@duflon.com

**Reg. Off. & Works:** C-101/102, M.I.D.C. Mahad, Dist. Raigad(Maharashtra), Pin: 402301. Tel.: (02145)232380/232901. Fax: (02145)233326.



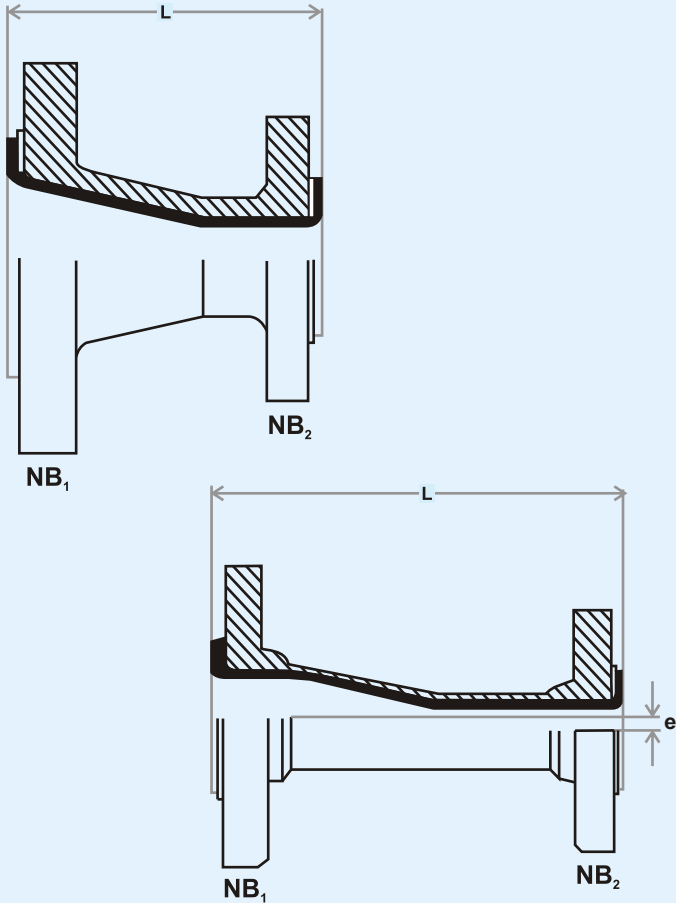
### DuFlon Europe Limited

P.O.Box 1683, Slough, Berkshire, UK, SL 1, 2FD  
Tel.No.: 00 44 (0) 1753 553 634. Fax No.: 00 44 (0) 1753 523597  
E-mail : sales@duflon.co.uk

### DuFlon Americas LLC Inc.

13407-C Murphy Road, Stafford, Texas 77477  
Tel : +281-261-7841 Fax : +281-261-7931  
E-mail :sales@duflonamericas.com

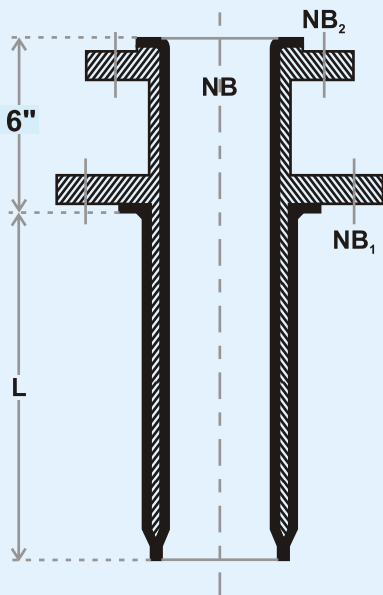
**PTFE LINED REDUCERS - CONCENTRIC & ECCENTRIC**



| NB <sub>1</sub><br>(mm) | NB <sub>2</sub><br>(mm) | L<br>(mm) | e<br>(mm) |
|-------------------------|-------------------------|-----------|-----------|
| 25                      | 15                      | 114       | 0         |
| 25                      | 20                      | 114       | 0         |
| 40                      | 20                      | 114       | 0         |
| 40                      | 25                      | 114       | 0         |
| 50                      | 25                      | 127       | 0         |
| 50                      | 40                      | 127       | 6         |
| 80                      | 40                      | 152       | 20        |
| 80                      | 50                      | 152       | 14        |
| 100                     | 40                      | 178       | 0         |
| 100                     | 50                      | 178       | 27        |
| 100                     | 80                      | 178       | 13        |
| 150                     | 80                      | 229       | 40        |
| 150                     | 100                     | 229       | 27        |
| 200                     | 100                     | 279       | 52        |
| 250                     | 100                     | 279       | 52        |
| 250                     | 150                     | 305       | 52        |
| 250                     | 200                     | 305       | 27        |
| 300                     | 200                     | 356       | 52        |
| 300                     | 250                     | 356       | 25        |

Note: e denotes the eccentricity of the Reducer w.r.t. center.

**PTFE LINED DIP TUBES**



**Note:**

We can offer PTFE Dip-Tubes, PTFE Lined Dip-Tubes, Lined Sparger Pipe, Lined Thermowell.

We can supply PTFE Dip Tubes as per your drawings/specifications.

**SPECIFICATIONS:**

**PIPE:** ANSI B 36.10, ASTM A 106 Gr. B Schedule 40

**FLANGE:** ANSI B 16.5, ASA 150#, ASTM A 105

**LINER:** PTFE, ASTM D 1457.

## PTFE LINED SPOOL

### Note:

1. Fixed / Loose flanges on one / both sides can be supplied on request.
2. Other specifications / dimensions / vacuum service available on request.
3. Lengths from Pipe size 1/2" (15 NB) upto 8" (200 NB) -- 6 mtrs
4. Lengths from size 8" (200 NB) to 12" (300 NB) -- 3mtrs.

Tolerance upto 1 mtr length will be + 0.00 mm / -3.5 mm and beyond 1 mtr will be +0.00 mm / -5.0 mm.

### SPECIFICATIONS:

#### PIPE

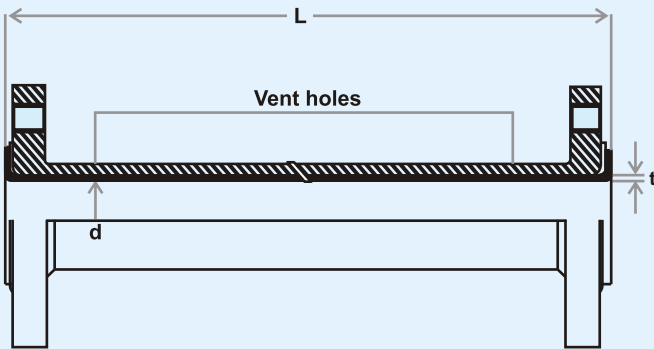
ANSI B36.10, ASTM A 106 Gr.B Sch.40 upto 150NB Sch 30 for 200 NB and 250 NB

#### LINER

ASTM D 4895, PTFE ASTM D1457

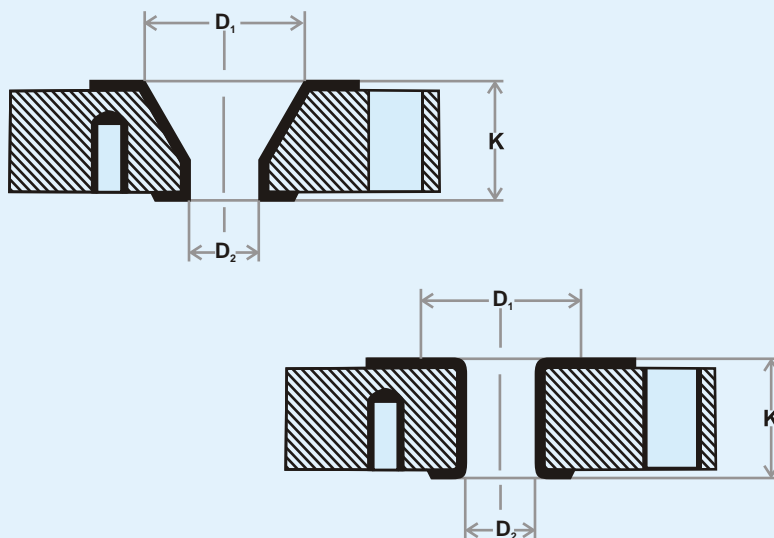
#### TOLERANCES

LINING & OTHER DIMENSIONAL TOLERANCES AS PER ASTM F 1545-2003 / ASTM D 1457



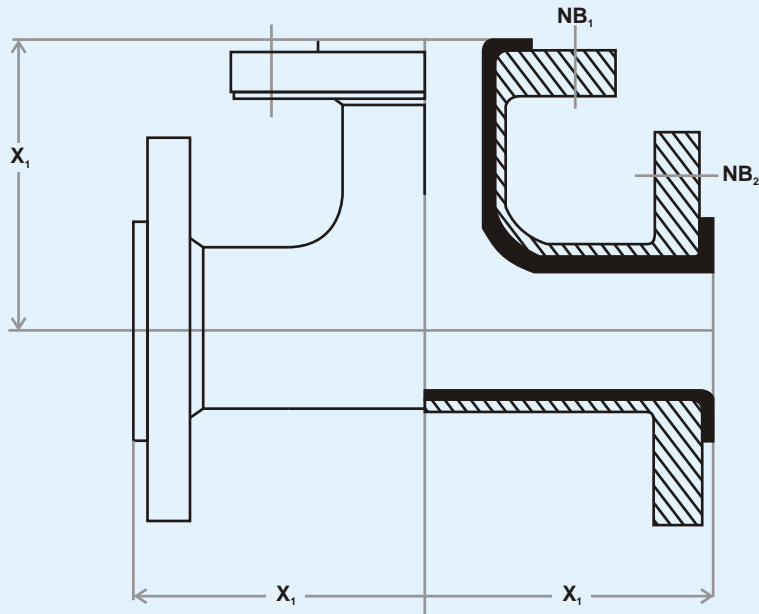
| NB   |          | Internal Dia(d) | Liner Thickness(t) | PCD    | Flange Hole Dia | Flared Dia |
|------|----------|-----------------|--------------------|--------|-----------------|------------|
| (mm) | (inches) | (±1mm)          | (mm)               | (mm)   | (mm)            | (mm)       |
| 25   | 1"       | 19.50           | 3.05               | 79.40  | 15.90           | 50.80      |
| 40   | 1.5"     | 33.80           | 3.30               | 98.40  | 15.90           | 73.00      |
| 50   | 2"       | 45.40           | 3.30               | 120.70 | 19.00           | 92.10      |
| 80   | 3"       | 70.80           | 3.30               | 152.40 | 19.00           | 127.00     |
| 100  | 4"       | 95.20           | 3.80               | 190.50 | 19.00           | 157.20     |
| 150  | 6"       | 145.10          | 4.50               | 241.30 | 22.20           | 215.90     |
| 200  | 8"       | 197.40          | 5.00               | 298.50 | 22.20           | 269.90     |
| 250  | 10"      | 249.30          | 6.00               | 362.00 | 25.40           | 323.90     |
| 300  | 12"      | 300.10          | 6.00               | 431.80 | 25.40           | 381.00     |

## PTFE LINED REDUCING FLANGES



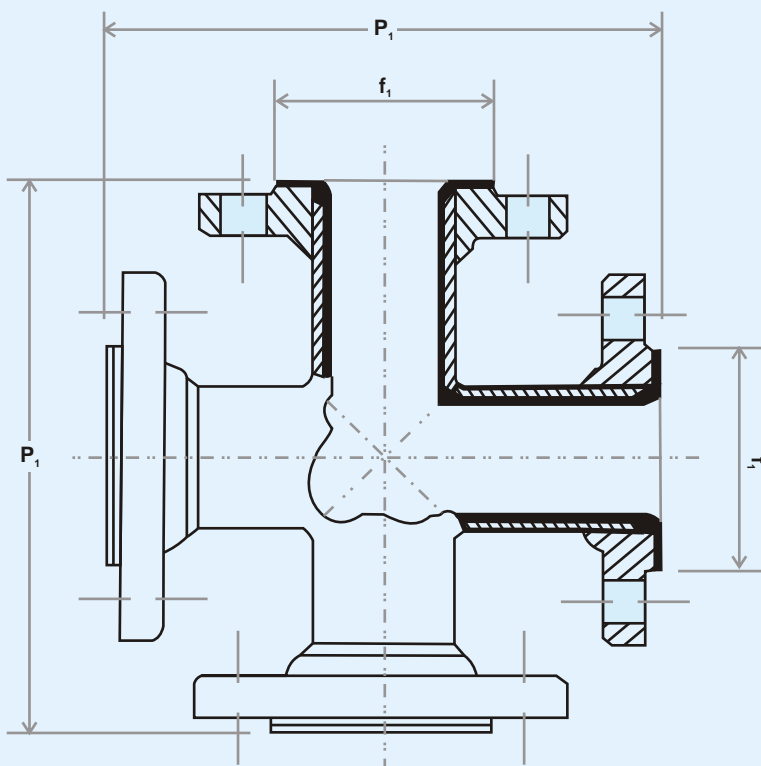
| D <sub>1</sub> | D <sub>2</sub> | K    |
|----------------|----------------|------|
| (mm)           | (mm)           | (mm) |
| 40             | 25             | 35   |
| 50             | 25             | 35   |
| 50             | 40             | 35   |
| 80             | 25             | 35   |
| 80             | 40             | 35   |
| 80             | 50             | 35   |
| 100            | 50             | 45   |
| 100            | 80             | 45   |
| 150            | 80             | 45   |
| 150            | 100            | 45   |

## PTFE LINED TEES - EQUAL & UNEQUAL



| $NB_2$<br>(mm) | $NB_1$<br>(mm) | $X_1$<br>(mm) |
|----------------|----------------|---------------|
| 25             | 25             | 89            |
| 40             | 25             | 102           |
| 40             | 40             | 102           |
| 50             | 25             | 114           |
| 50             | 40             | 114           |
| 50             | 50             | 114           |
| 80             | 40             | 140           |
| 80             | 50             | 140           |
| 80             | 80             | 140           |
| 100            | 50             | 165           |
| 100            | 80             | 165           |
| 100            | 100            | 165           |
| 150            | 80             | 203           |
| 150            | 100            | 203           |
| 150            | 150            | 203           |
| 200            | 200            | 229           |
| 250            | 250            | 279           |
| 300            | 300            | 305           |

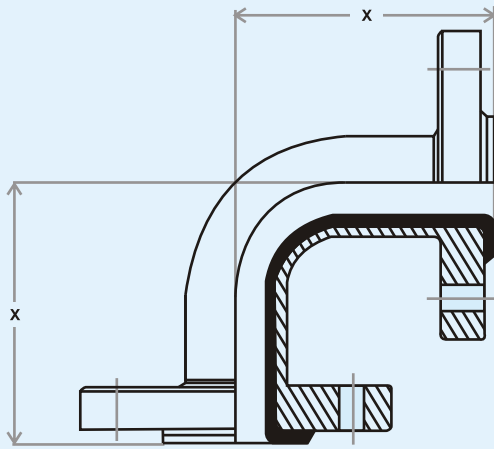
## PTFE LINED CROSS



| $NB$<br>(mm) | $P_1$<br>(mm) | $f_1$<br>(mm) |
|--------------|---------------|---------------|
| 25           | 178           | 50.8          |
| 40           | 204           | 73            |
| 25           | 228           | 92.1          |
| 80           | 280           | 127           |
| 100          | 330           | 157.2         |
| 150          | 406           | 215.9         |
| 200          | 458           | 269.9         |
| 250          | 558           | 323.9         |

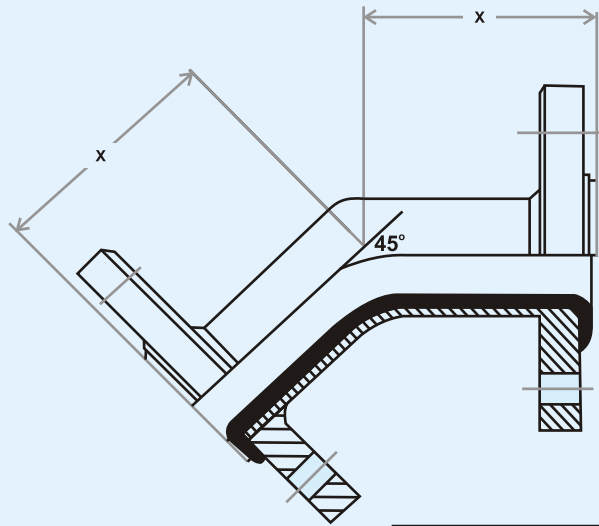
## PTFE LINED ELBOWS

90 DEGREE ELBOW



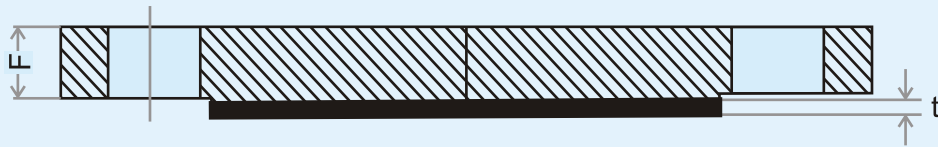
| NB<br>(mm) | X<br>(mm) |
|------------|-----------|
| 25         | 89        |
| 40         | 102       |
| 50         | 114       |
| 80         | 140       |
| 100        | 165       |
| 150        | 203       |
| 200        | 229       |

45 DEGREE ELBOW



| NB<br>(mm) | X<br>(mm) |
|------------|-----------|
| 25         | 44        |
| 40         | 57        |
| 50         | 63        |
| 80         | 76        |
| 100        | 102       |
| 150        | 127       |
| 200        | 140       |

## PTFE LINED BLIND FLANGE



| NB<br>(mm) | Flange Thickness(F)<br>(mm) | Liner Thickness (t)<br>(mm) |
|------------|-----------------------------|-----------------------------|
| 25         | 14.30                       | 3.05                        |
| 40         | 17.50                       | 3.05                        |
| 50         | 19.00                       | 3.05                        |
| 80         | 23.80                       | 3.05                        |
| 100        | 23.80                       | 3.05                        |
| 150        | 25.40                       | 4.00                        |
| 200        | 28.60                       | 4.00                        |
| 250        | 30.20                       | 5.00                        |
| 300        | 31.80                       | 5.00                        |